

Sliding Series (70&75 mm)

NEW ERA INSLIDING SYSTEMS



Türkoba Mah. Fırat Plastik Cad. 23
Büyükcçekmece 34537 İstanbul Turkey



P: 0090 (212) 866 41 41 | 866 42 42
444 9 378 (FRT) | 0 800 219 80 20 CUSTOMER SERVICE
F: 0090 (212) 859 04 00 | 859 05 00
E: firat@firat.com | info@firat.com
info@firatpen.com.tr | musterihizmetleri@firat.com

www.firat.com | www.firatpen.com.tr
www.winhouse.com.tr | www.gedizpen.com.tr
FACEBOOK | TWITTER | LINKEDIN | FIRATPLASTIK | INSTAGRAM | FIRATPLASTIKTR
FACEBOOK | FIRATPEN | TWITTER | FIRATPENTR | INSTAGRAM | FIRATPENTR
FACEBOOK | WINHOUSE | TWITTER | WINHOUSETR | INSTAGRAM | WINHOUSETR

JUNE 2024

FIRATPEN

winhouse

Gedizpen

CLASSIC SLIDING SYSTEMS (70 MM & 75 MM)

AESTHETIC AND EASY To USE

PVC window and door systems consist of two main joinery types. One of these is the sliding systems due to their ease of use and advantage of space they provide. The biggest advantage of the sliding systems is that they don't cause space loss as their sash is opened by sliding and settled on the other sash. Besides, ease of use and aesthetic appearance are the biggest pros of the sliding systems. Insulation in the sliding systems is achieved through brush systems named as weather stripping and thus, insulation is lower than normal window systems. However, Winhouse has reduced insulation weakness to minimum levels through its special interlock systems used in the series of 70 mm and 75 mm.

AESTHETICS

The system provides a pleasant appearance and ease of use for the final consumer thanks to its suitable frames for different locations. Laminated coating with 21 different colors as well as white profile can be applied in the system. Thanks to patterns of 21 different laminated coating, wood and aluminum appearances can be provided on the PVC profile. Thus, PVC windows can be manufactured in harmony with the interior and exterior of the residence or building.

SYSTEM FEATURES

→ Winhouse sliding systems have two different types and measures of 70 and 75 mm. In this way, dealers using Selenit series of 75 mm as well as the dealers using Garner series of 70 mm can integrate their sliding systems into the windows.



- Sash profiles of the sliding systems of 70 mm and 75 mm are the same. Although their frame measures are different, common sashes can be applied by using different sash closing profiles.
- Sliding fix frame profile with lining profile which can be used to carry out sash systems whose one side is fixed and the other side is moving has been included in the sliding system of 75 mm.
- Our frames with fly swatter are available in our sliding systems. Moreover, sliding frame with fly swatter having lining profile inside and outside are also available for their use in different regions.
- Fly swatter functioning by sliding in the Classic Sliding systems can cause tension in the fly screen net when used in high measures. This situation leads to stretch in the profiles. Sliding mullion profile used in sliding sash profile has been manufactured in order to prevent this stretch.
- For When fixed glass in the upper or lower parts of the sliding system, demanded fix profile of 70 and 75 mm has been developed to carry out an application without disrupting aesthetic appearance. Thanks to this profile, fixed glass can be manufactured through a simple application without disrupting the appearance.
- Three different sash types of the sliding system are available. Sliding door sash profile for the joineries in high measures and new sliding sash profile together with the sliding sash profile for small measures rank among the products of the sliding systems.
- 3 different bead profile types are available in the sliding systems of 70 and 75 mm to carry out application of single glazing of 5 mm and 20 and 24 mm of double glazing.

PERFORMANCE FEATURES OF THE WINDOWS SYSTEM

Because of having the insulation through weather-stripping and thus insulation weakness in the classic sliding systems, the sliding sash profiles in the sliding systems of 70 and 75 mm have been designed suitable for use of seal and thus insulation weakness has been minimized. Furthermore, wind load resistance has been maximized through the sliding door sash profile developed for high sized joineries.

CoLoUR AND DESIGN CHART

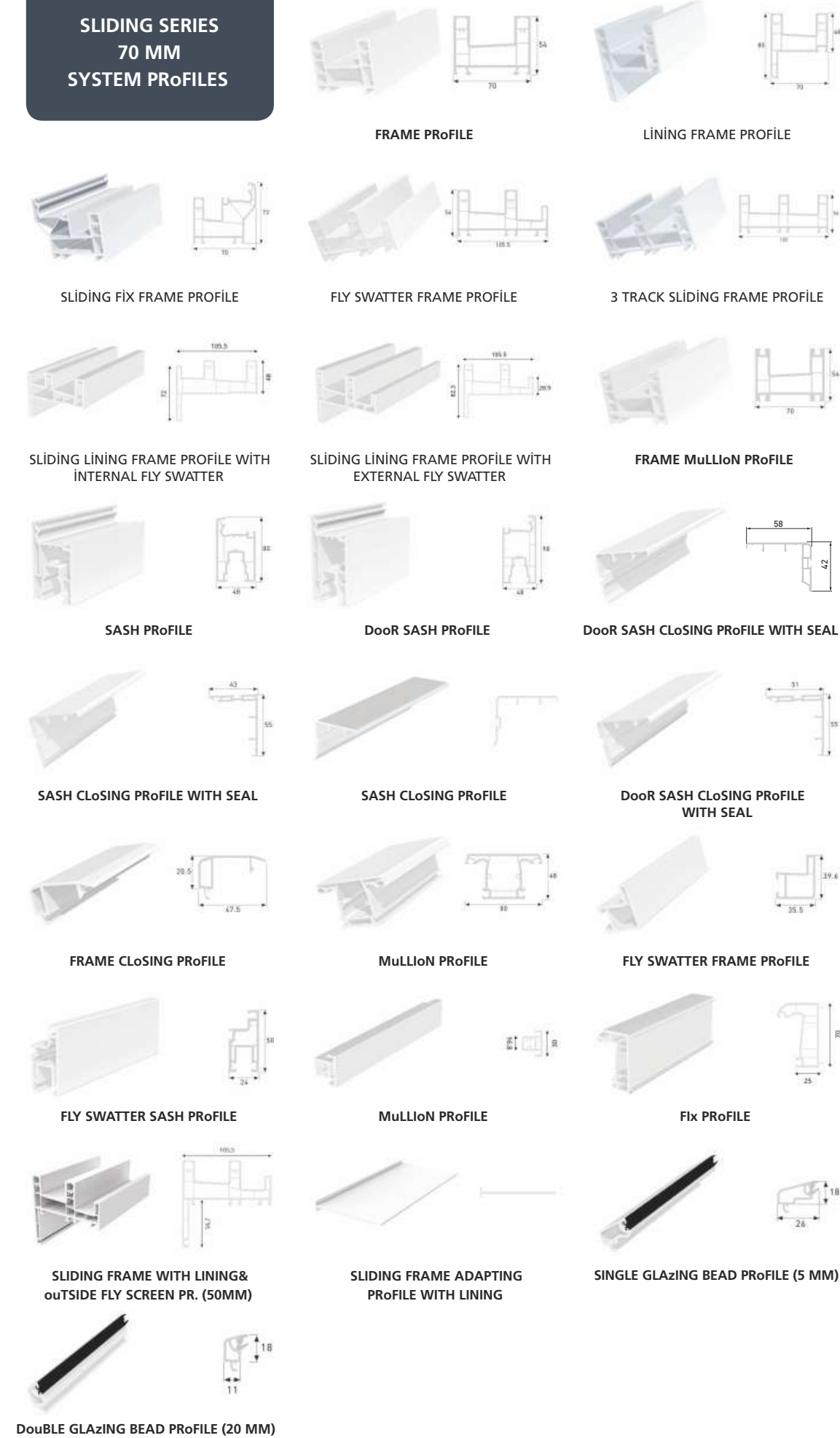
PROFILE WIDTH SLIDING SYSTEMS 75 (75 mm) SLIDING SYSTEMS 70 (75 mm)

GLASS THICKNESS 5, 20, 24 mm

WHITE	CREAM WHITE	MAHOGANY
EICHE RUSTICAL	DARK OAK	DARK GREEN
STEEL BLUE	GOLDEN OAK	OAK
WALNUT	CEDAR	ANTEAK
WINCHESTER	MACORE	ANTHRACITE
SMOOTH ANTHRACITE	BLACK ULTI-MATT	TROMPET
GREY	SILVER BRUSH EFFECT	SILVER D (SILVER GREY)
ALUMINIUM BRUSH EFFECT		



SLIDING SERIES 70 MM SYSTEM PROFILES



SLIDING SERIES 75 MM SYSTEM PROFILES

